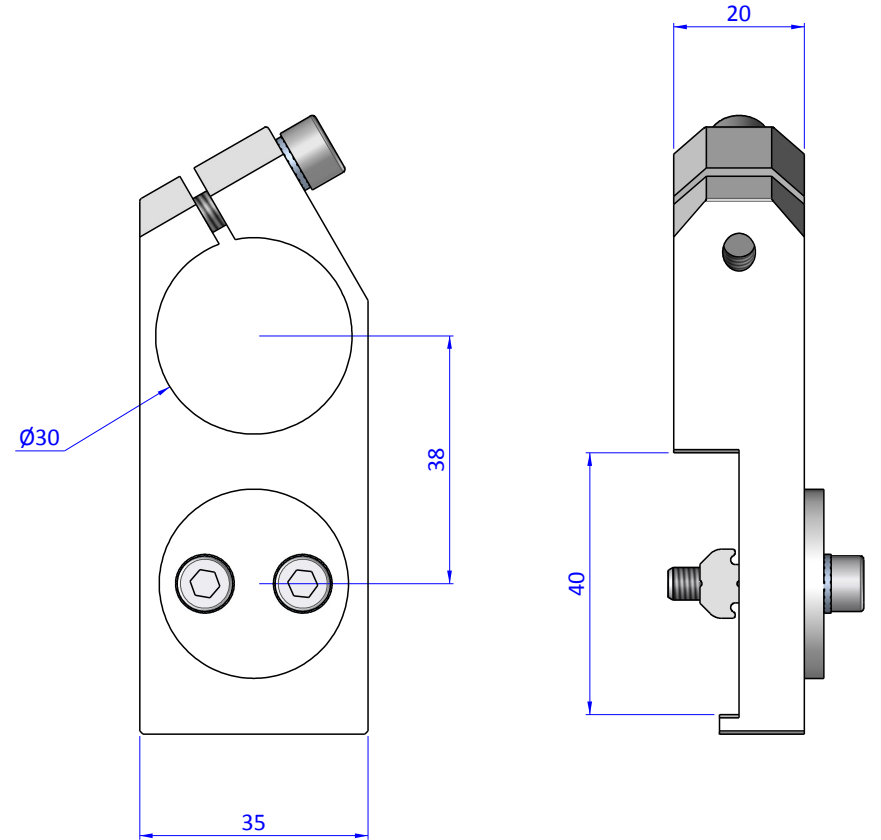
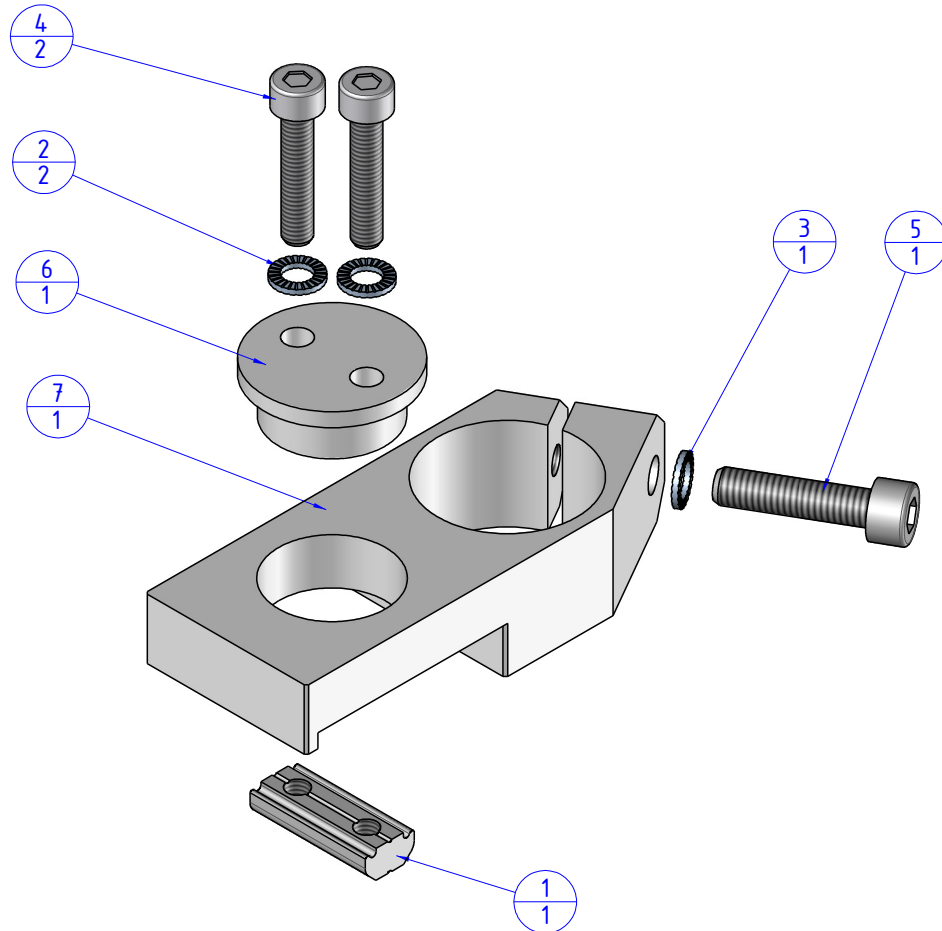


THE PROPERTY OF THE DRAWING IS ESTABLISHED BY LAW. IT IS FORBIDDEN TO PRODUCE OR SHOW IT TO THIRD PARTY, WITHOUT A WRITTEN AGREEMENT.

Item	Name	Q. ty
1	CA.GWP.5.15	1
2	R.5.SCH	2
3	R.6.SCH	1
4	V.TCE5x25	2
5	V.TCE6x25	1
6	WST.30.1	1
7	WST.30.JU	1



Format A3

UNI 936-76

FP SERVICES AUTOMATION		DESIGNED FROM FPSERVICES	REVIEW A
GENERAL TOLERANCE UNI - ISO 2768 CLASSE f	DESCRIPTION CA.WST.30.JU	DATE 30/04/2016	WEIGHT 0,109kg
		CODE CA.WST.30.JU	